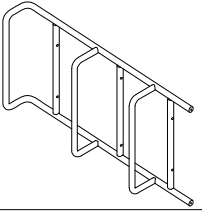
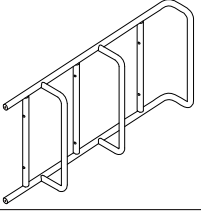
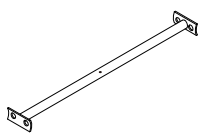
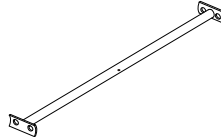
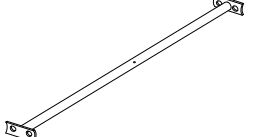
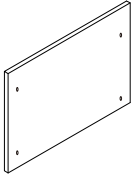
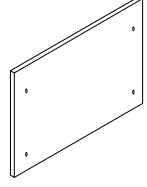
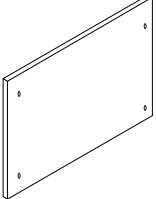
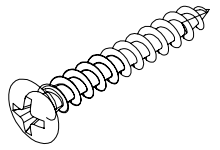
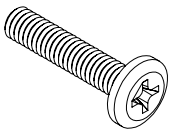
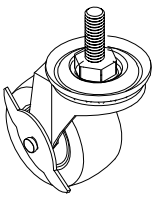
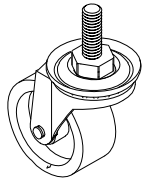
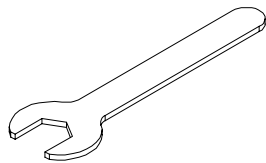


Parts List

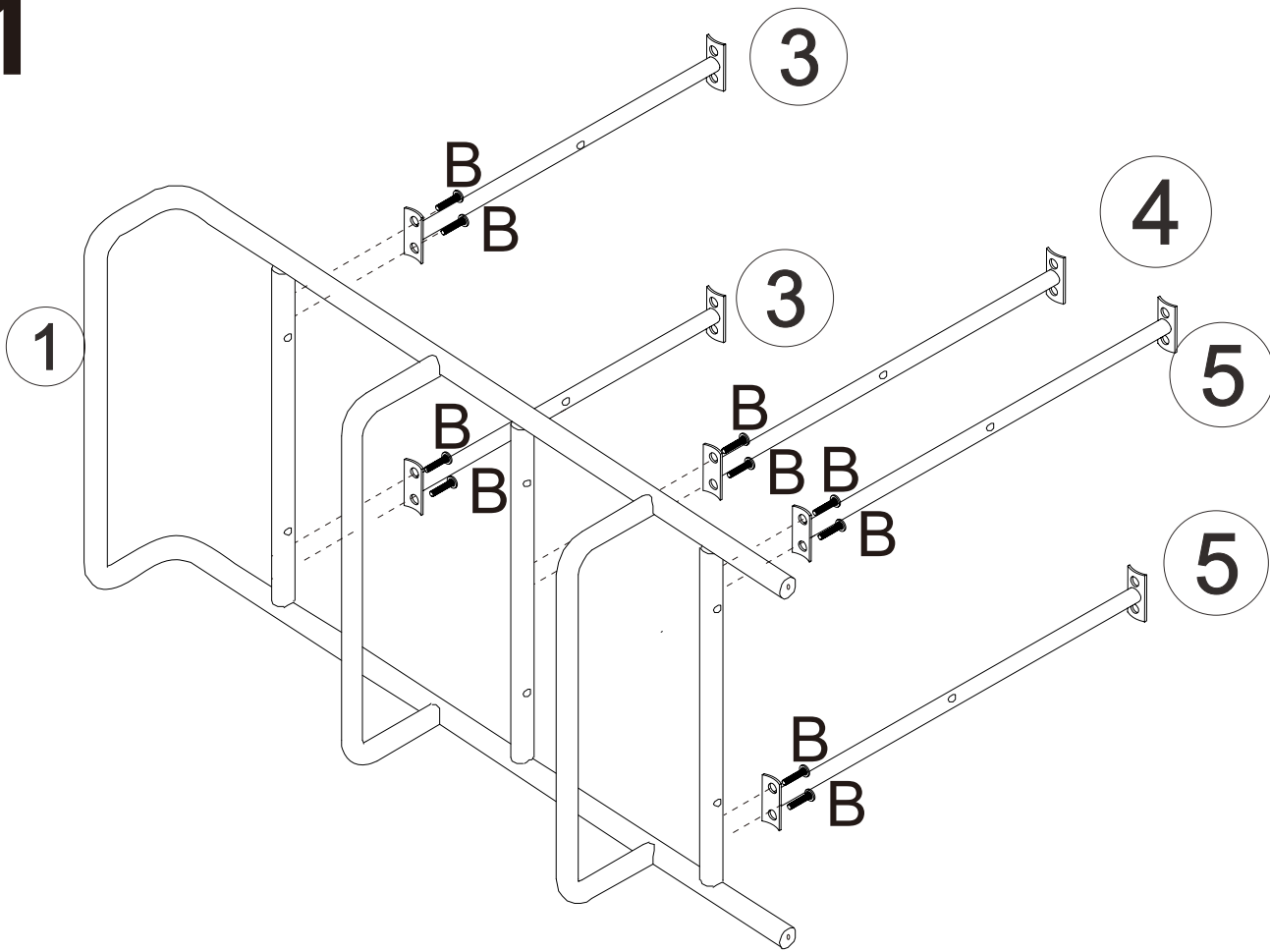
① = 1PC	② = 1PC	③ = 2PC	④ = 1PC	⑤ = 2PCS
				
⑥ = 1PC	⑦ = 1PC	⑧ = 1PC		
				

Hardware Included

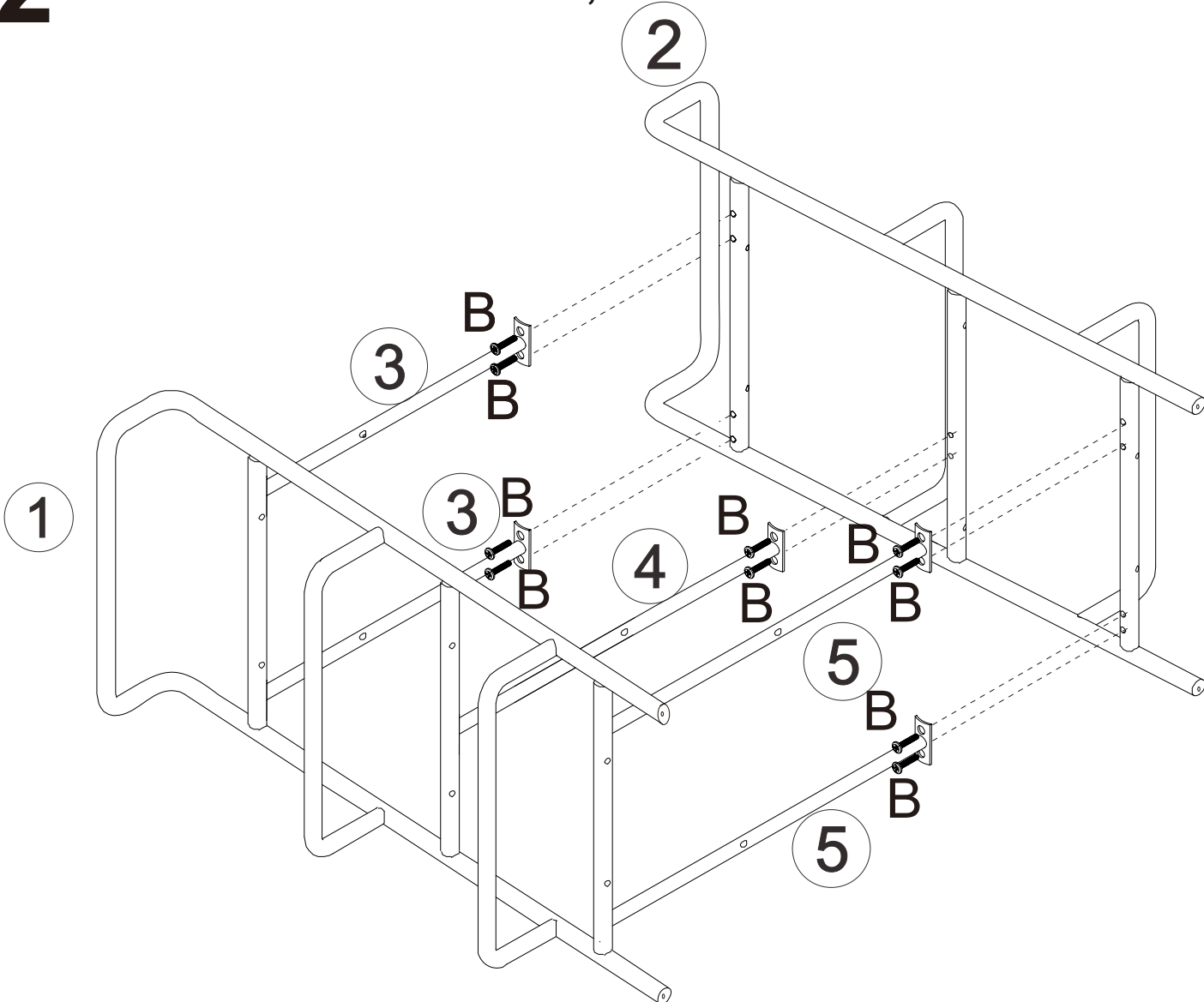
A = 17PCS	B = 20PCS	C = 2PCS	D = 2PCS
			
E = 1PC			
			

• Fix Part 3,4,and 5 to Part 1 with screw B.

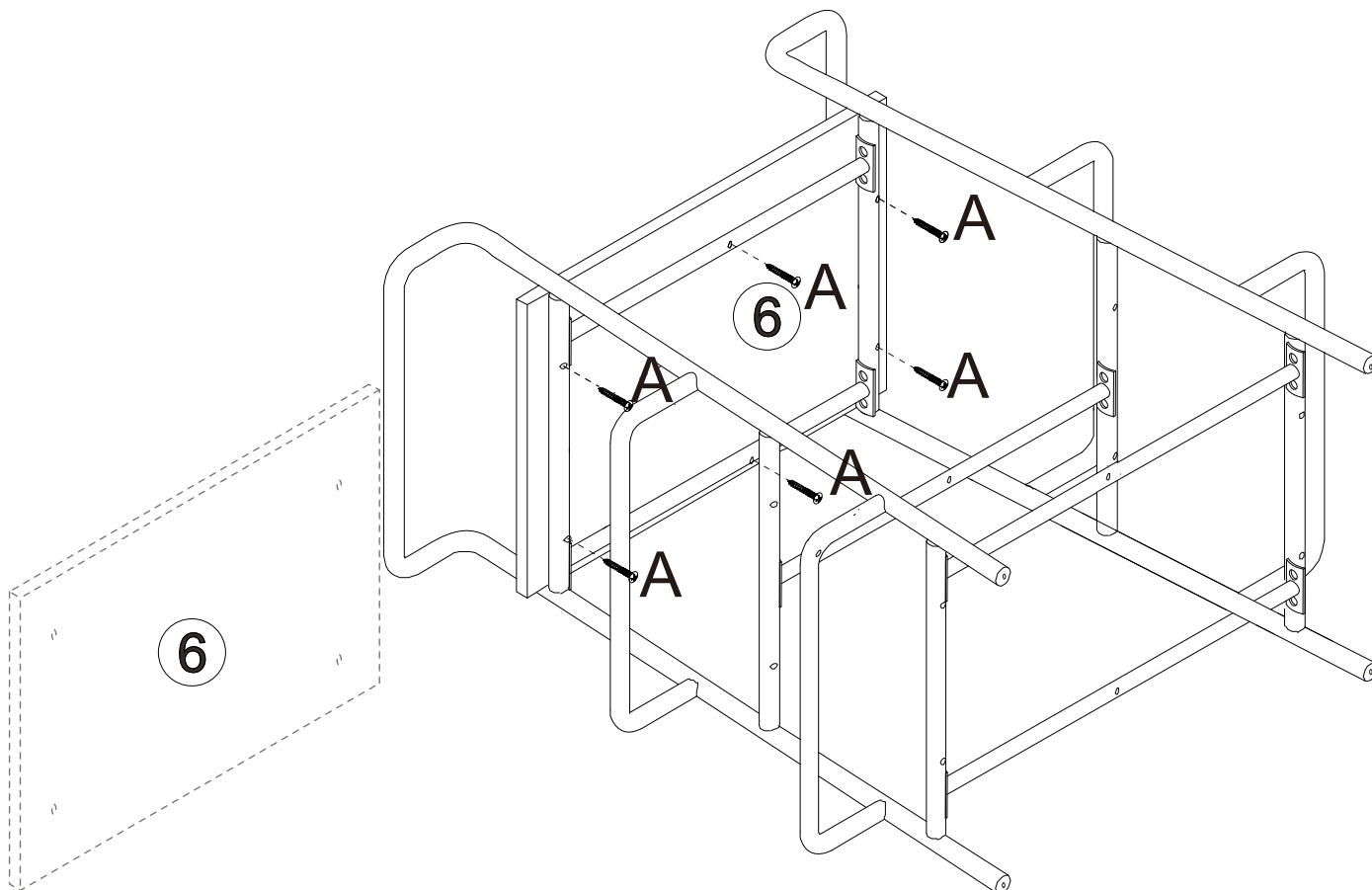
1



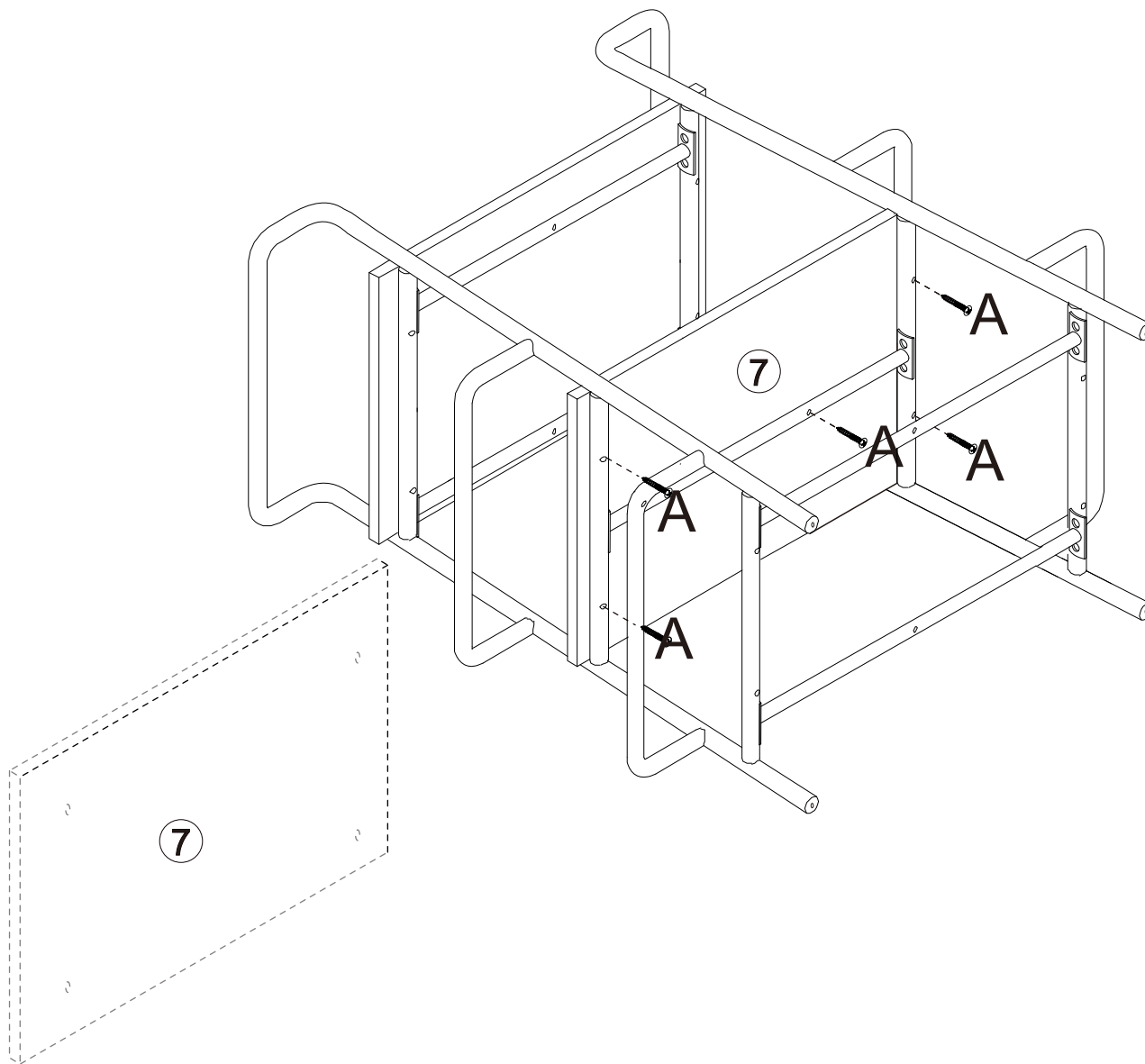
2 • Fix Part 2 to Part 3,4 and 5 with screw B.



3 • Fix Part 6 to the frame with screw A.

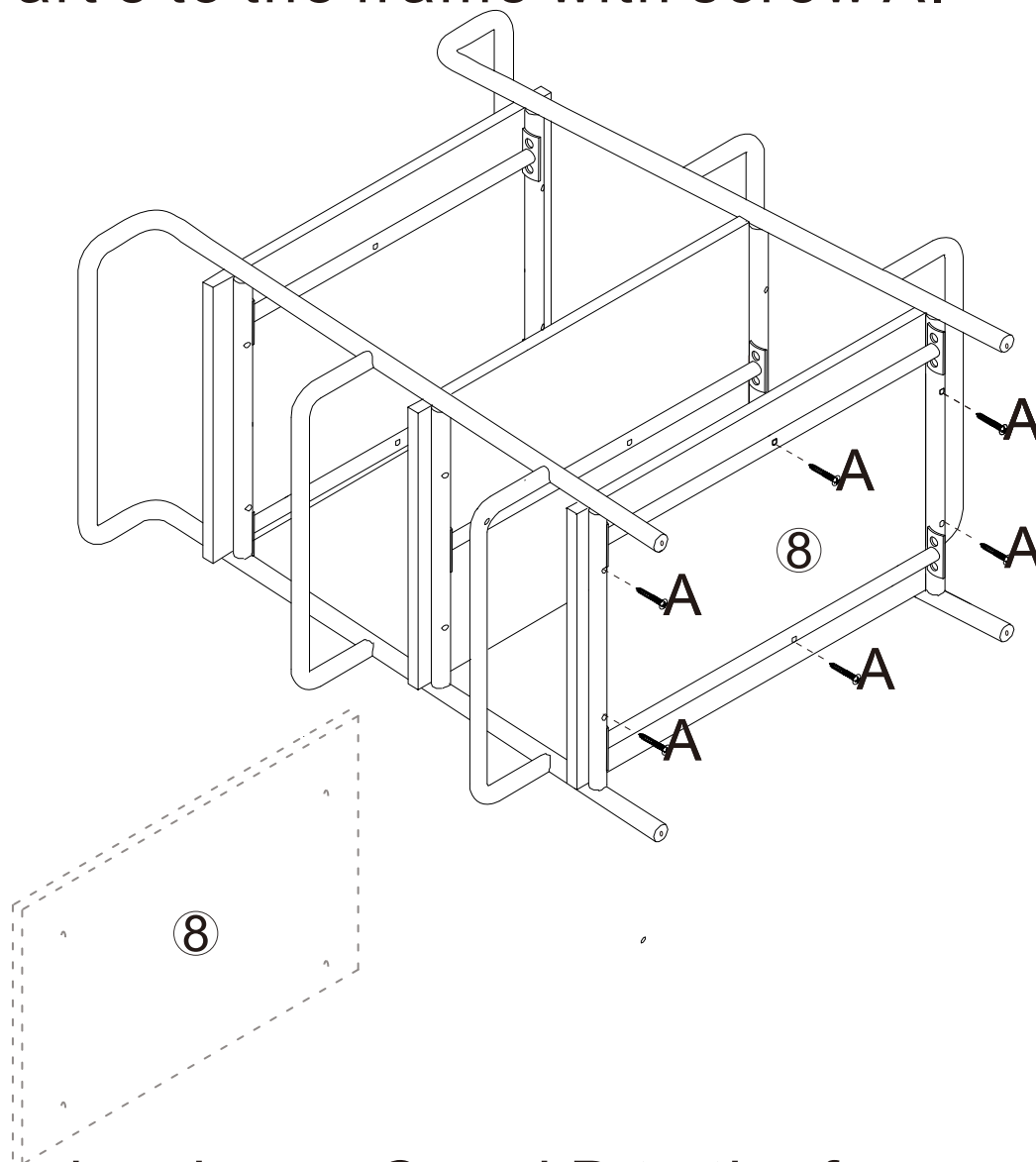


4 • Fix Part 7 to the frame with screw A.



• Fix Part 8 to the frame with screw A.

5



6 • Screw hardware C and D to the frame, then use hardware E to fix them.

